

Lyra

Speaker system

by Thrax Audio

Operating Manual

Manual issued 25/11/2014

CAUTION

THE UNIT CONTAINS NO USER SERVICEABLE PARTS. DO NOT REMOVE THE COVERS AND NEVER OPERATE THE SPEAKERS WITH CHASSIS COVERS REMOVED.

DO NOT OPERATE THE UNIT IF WET OR NEAR WATER.

DO NOT EXPOSE TO DRIPPING OR SPLASHING AND ENSURE THAT NO OBJECT FILLED WITH LIQUIDS, SUCH AS VASES, ARE PLACED ON THE SPEAKERS.

DO NOT INSTALL NEAR ANY HEAT SOURCES SUCH AS RADIATORS, STOVES OR OTHER APARATUS THAR PRODUCE HEAT.

PROTECT THE SIGNAL CORDS FROM BEING WALKED ON OR PINCHED.

THE SPEAKERS ARE FAIRLY HEAVY. BE SURE TO USE PROPER LIFTING TECHNIQUES TO AVOID BACK STRAIN AND INJURY. BE CERTAIN TO INSTALL IT ON DEDICATED STANDS IN A SECURE LOCATION.

TIME SPENT FAMILIARIZING YOURSELF WITH THIS MANUAL WILL BE WELL REWARDED.

CONTENTS

- 1. Important Safety Instructions 3
- 2. Introduction 4
- 3. Specification 4
- 4. Front Panel 5
- 5. Back Panel 5
- 6. Unpacking and Installation
 - Unpacking 6
 - Positioning 6
 - Connecting 8
 - Listening test 9
- 7. Care and maintenance 10

IMPORTANT SAFETY INSTRUCTIONS

READ ALL INSTRUCTIONS: All the safety and operating instructions of your Thrax Audio equipment should be read before power is applied to the equipment.

RETAIN OWNER'S MANUAL: These safety and operating instructions should be retained for future reference.

HEED WARNING: All warnings on the unit and in the operating instructions should be adhered to.

FOLLOW INSTRUCTIONS: All operating and use instructions should be followed.

CLEANING: The unit should be cleaned only as recommended by the manufacturer.

SERVICING Refer all servicing to qualified service personnel. Servicing is required when the speaker has been damaged in any way, liquid has been spilled inside the appliance or it has been exposed to moisture, the speaker does not operate normally, or has been dropped.

DO NOT OPEN THE CABINET: There are no user serviceable components inside this product. Opening the cabinet may present a shock hazard, and any modification to the product will void your warranty.

WARNING: To reduce the risk of fire or electric shock, do not expose this apparatus to rain or moisture.

INTRODUCTION

Congratulations on choosing the Thrax Audio LYRA - a powerful stand mount, two-way loudspeaker of outstanding performance.

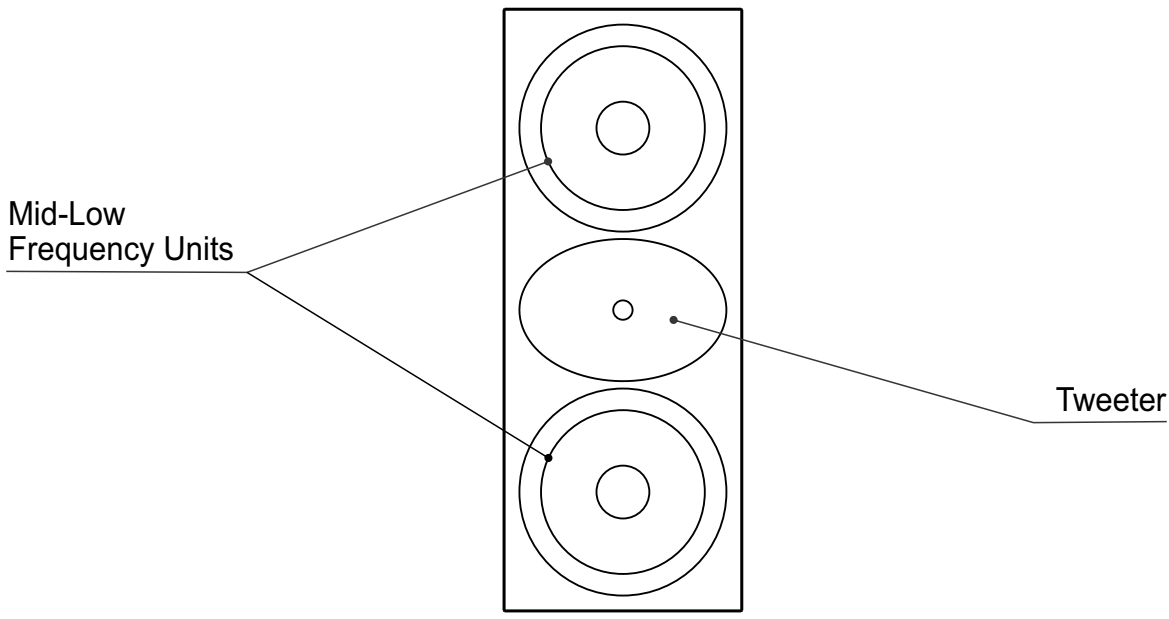
Please, take a few moments to read this manual. The advice it contains will enable you to get the very best performance out of your Lyra loudspeakers.

The LYRA utilizes a new type of tweeter featuring a proprietary ultra short horn and two mid-bass drive units in the well known D'Apolito arrangement. Thrax Lyra loudspeakers are finished in anodized aluminum (black or silver). The body is machined from solid plates.

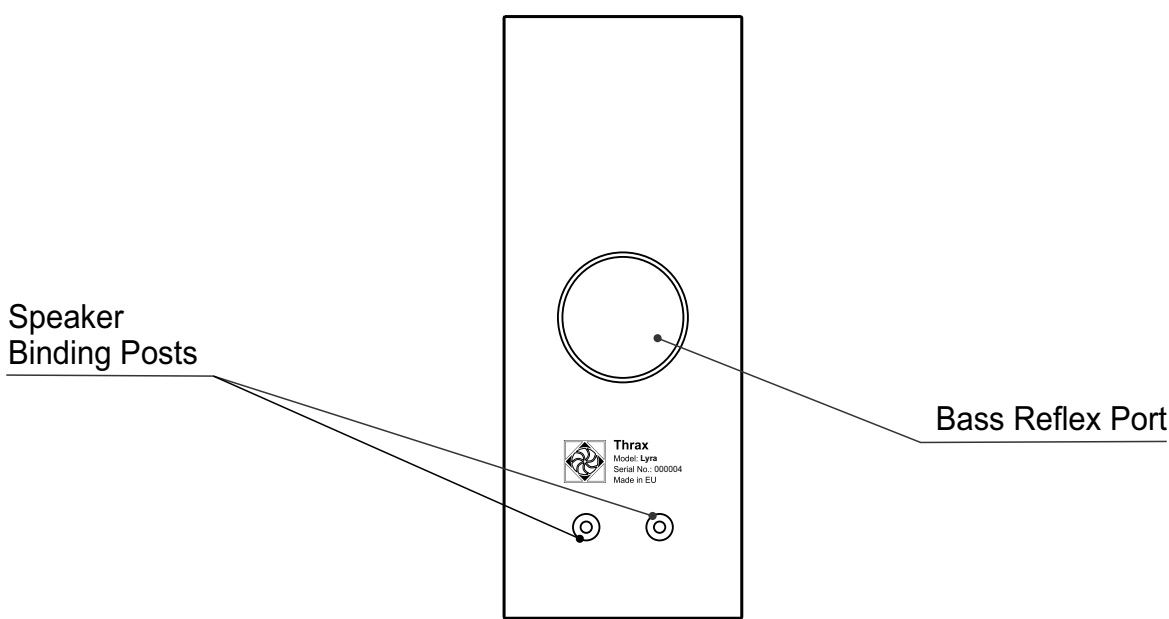
SPECIFICATION

- Impedance: 4Ω
- Max Power Handling 250W
- Dimensions 210W x 385D x 520H mm
- Weight 35Kg
- Finish Black or Silver anodized aluminum
- Sensitivity: 90db
- Frequency band: 34~20 000Hz

FRONT PANEL



BACK PANEL



UNPACKING AND INSTALLATION

Unpacking

All Thrax Audio shipping boxes have been specially designed to protect their contents and special care has been taken to prevent damage under normal shipping conditions. Mishandling should be evident upon inspection of the shipping container. Carefully remove your new speakers from their packing and examine closely for signs of shipping damage.

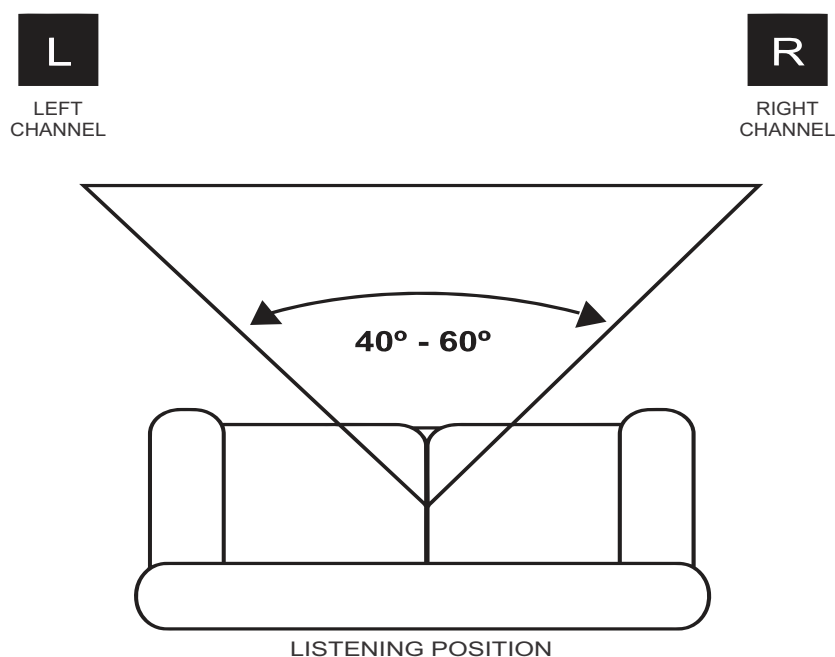
We strongly recommend saving all original packing to protect your speakers from damage, should you wish to store or ship them at a later date.

Positioning

Rigid support is essential for the speaker to develop its full detail and dynamic performance. Choose quality, high-mass stands for your speakers.

The Lyra is best heard with the tweeters at, or just below, ear height when the listener is seated. Placement of your loudspeakers will greatly affect their performance. The following guidelines should be considered:

- Placing the loudspeakers at least 1.8-2.5m (6-8 feet) apart will provide the best stereo sound and image.
- The shape of the room will affect the bass performance, especially when loudspeakers are placed in the corner of the room.
- Positioning the tweeters so that they play at the listeners ear level provides for optimum playback.
- Keeping the loudspeaker wire away from AC outlets will reduce interference.



UNPACKING AND INSTALLATION

The shape of the listening room and the furnishings will change the way your system sounds. The bass frequencies will generally be affected by the positioning and treatment of the room. There will be more perceived bass when a speaker is moved closer to a wall boundary. In general, however, loudspeakers should be kept away from side walls as much as possible, as these surfaces can adversely affect the stereo imaging experienced at the listening position. Positioning the loudspeakers at least 30-40 cm (2-15") away from the side walls will generally provide the best performance.

Closeness to room boundaries has a major impact on the low frequency performance. The speakers should be kept away from corners (which will produce booming). The speakers can be positioned fairly close to a back or side wall but should not be the same distance off the ground as they are from the rear or side wall.

For best stereo imorce when tightening the terminals as this might damage your cable connectors.

UNPACKING AND INSTALLATION

Connecting your loudspeakers

Before any connections are made, please ensure that all equipment in the system is turned OFF.

Be sure to observe the amplifier's rated load impedance. Connecting an impedance load outside the amplifier's rated range can damage the amplifier.

Make sure that your power amplifier output matches the speakers' power capacity. Even if the amplifier's power output is lower than the speakers' PGM (program) power capacity, the speakers may be damaged when clipping of a high input signal occurs. The following may cause damage to speakers:

- Continuous high sound pressure level produced by electronic instruments.
- Continuous high-power output of distorted signals.
- Popping noises caused by turning on equipment, or by connecting or disconnecting system components while the amplifier is turned on.

When turning on the AC power in your audio system, always turn on the power amplifier LAST, to avoid speaker damage. When turning the power off, the power amplifier should be turned off FIRST for the same reason.

Loudspeaker wire throughout the system should be high quality, loudspeaker grade audio cable with polarity coding. High quality connectors are also essential, however you may use bare wire as well as spades or banana plugs. If bare wire is used, be careful that no stray strands get loose that could cause a short-circuit.

Connect the positive lead of the loudspeaker wire (indicated with a "+" or other marking) to the Red (or positive) loudspeaker terminal. Connect the other loudspeaker wire lead to the Black (or negative) loudspeaker terminal.

Connect the opposite end of the loudspeaker wire to your amplifier making sure that the polarity is preserved ("+" to "+" or Red to Red, and "-" to "-" or Black to Black – see diagram).

Bare wires and spade plugs must be tightened by rotating the ratchet screw clockwise. Do not apply excessive force when tightening the terminals as this might damage your cable connectors.

LISTENING TEST

To ensure that all connections have been made correctly, turn on your system and begin playback of material you are familiar with. Start off by listening at a low volume, then slowly raise the volume to a comfortable listening level. A proper stereo image should be present. If the loudspeakers do not produce a solid stereo image, please verify the wiring to ensure that the polarity of the connection is not reversed.

Note that although your Thrax Audio System has been run for 72 hours at the factory, it will continue to "break in" for approximately 150 hours. Also be aware that many components display the need for a new break in period after being transported in unheated cargo aircraft.

CARE AND MAINTENANCE

Your Thrax Lyra speakers will provide many years of listening pleasure if you follow these guidelines:

Please make sure no one will abuse the speakers and especially the most delicate parts – its drivers. Do not touch the drivers, block the horn or insert foreign objects in the speaker openings.

Avoid exposure to extreme cold (below freezing temperatures). Allow for warming up before operating and start with low-level signal for about 10 minutes, prior to high-power operation.

Please take care of yourself - do not operate your audio system at extreme volume levels or at a level that is uncomfortable, since your Lyra speakers are capable of producing sound levels that could cause permanent hearing loss. If you experience any discomfort or ringing in the ears, or suspect any hearing loss, you should consult an audiologist.

Dusting your speakers with a soft cloth is normally sufficient, but you may clean the loudspeakers also with a slightly damp cloth with a mild soap solution. Abrasives or aggressive chemical cleaners should be avoided, as they may damage the finish. Clean the speakers only when the system is turned off. Avoid getting moisture into any openings of the cabinet, particularly where the drivers are located.

For any service you should contact your local dealer or reseller.

